

Accessories

Screws x 4 (M2)	Washers x 4	Spacers (3 mm) x 4	Spacers (4.5 mm) x 4	Adhesive Tape x 1	Thermal Pads x 3
G-1 (Grey Compound 2 g)	G-1 (White Compound 2 g)	Mixing Wand x 1	4-pin Fan Power Adapter x 1	VGA Bracket x 1	
Heatsinks					
Ⓐ x 12	Ⓑ x 2	Ⓒ x 4	Ⓓ x 4	Ⓔ x 1	Ⓕ x 3

Preparation

1

2 Not cleaning circuit components thoroughly with an **eraser** leads to **no adhesiveness** of the G-1.

3 Ensure there is no physical interference between the heatsinks and the circuit components as it may cause short circuit. Use tape to cover the circuit components when necessary.

4 Choose the right mounting hole and spacers:

Mounting Hole	Use Spacers	Compatible Models
① 51 mm x 61 mm	4.5 mm	NVIDIA GeForce: GTX 560Ti, GTX 560, GTX 460 SE, GTX 460
② 53.2 mm x 53.2 mm	3 mm	NVIDIA GeForce: GTS 550, GTS 450, GTS 250, GTS 240 (OEM), GTS 150 (OEM), GT 130 (OEM), 9800 GTX+, 9800 GTX, 9800 GT, 9600 GT, 9600 GSO 512, 9600 GSO, 9500 GT, 8800 GTS 512 (G92), 8800 GTS (G92), 8800 GT, 8800 GS (9600GSO), 7900 GTX, 7800 GTX 512, 7800 GTX, 7800 GT AMD Radeon: HD 6970, 6950, 6870, 6850, 6790, 5870, 5850, 5830, 4890, 4870, 4850, 4830, 3870, 3850
③ 58.4 mm x 58.4 mm	4.5 mm	NVIDIA GeForce: GTX 580, GTX 570, GTX 480, 8800 Ultra (G80), 8800 GTX (G80), 8800 GTS (G80)
VR002 - 61 mm x 61 mm (available at xpx2.arctic.ac)		NVIDIA GeForce: GTX 285, 280, 275, 260+, 260
VR003 - 58.4 mm x 58.4 mm (available at xpx2.arctic.ac)		NVIDIA GeForce: GTX 470, 465

Please note this table is for reference only. Refer to your own VGA card holes position during installation. The updated information is available at xpx2.arctic.ac.

5

Protective Film

Spacer

Adhesive Tape

X 4

6

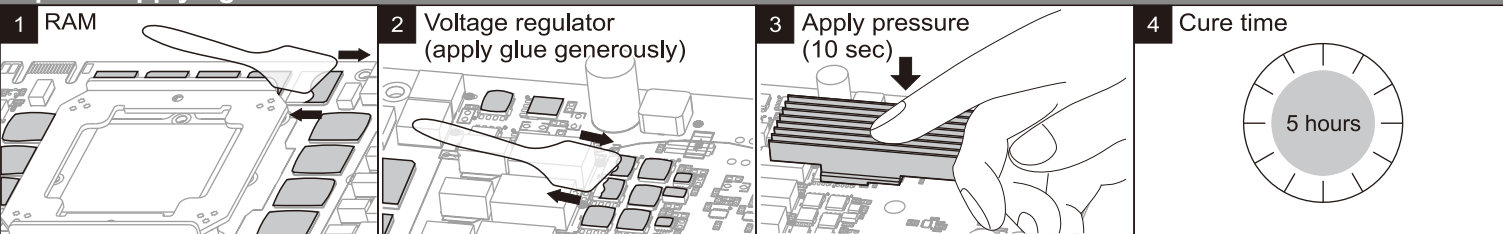
7

Remove the mounting plate from the cooler and fix it on top of your VGA card to the position of the mounting holes. Now you should be able to see the exact position of the mounting plate occupied area to avoid the interference of the RAM heatsinks and mounting plate.

8

Must thoroughly mix the entire amount of compound of both bags for **5 minutes**. **Not mixing for 5 minutes will lead to no adhesiveness of the glue.** Application has to be done within **15 minutes** thereafter.

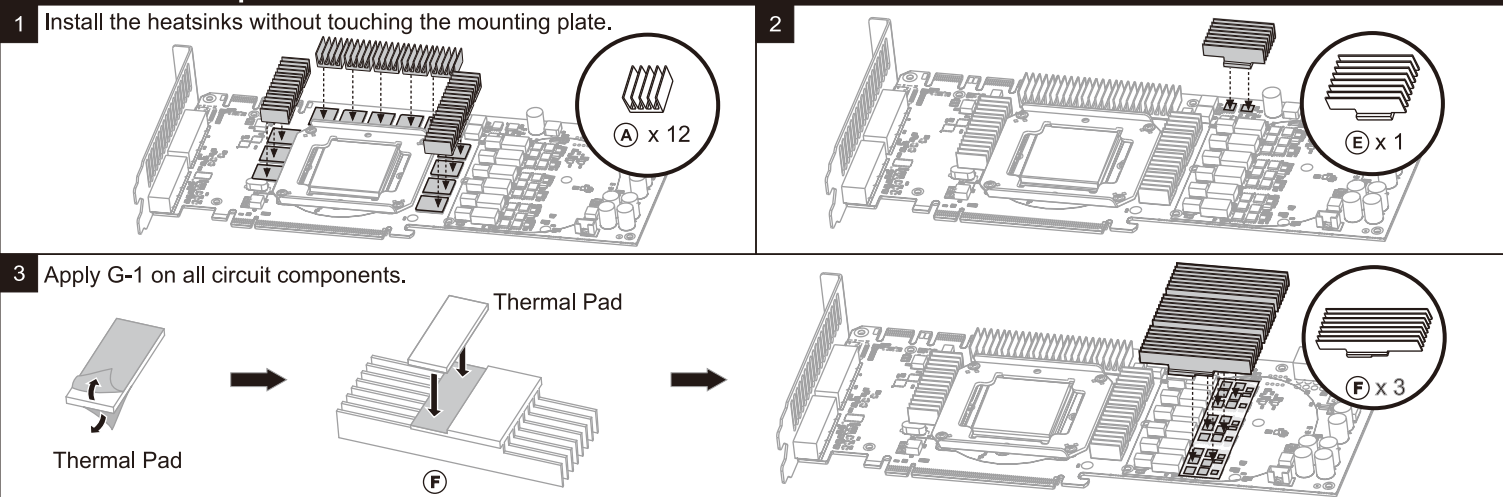
Tips for applying G-1



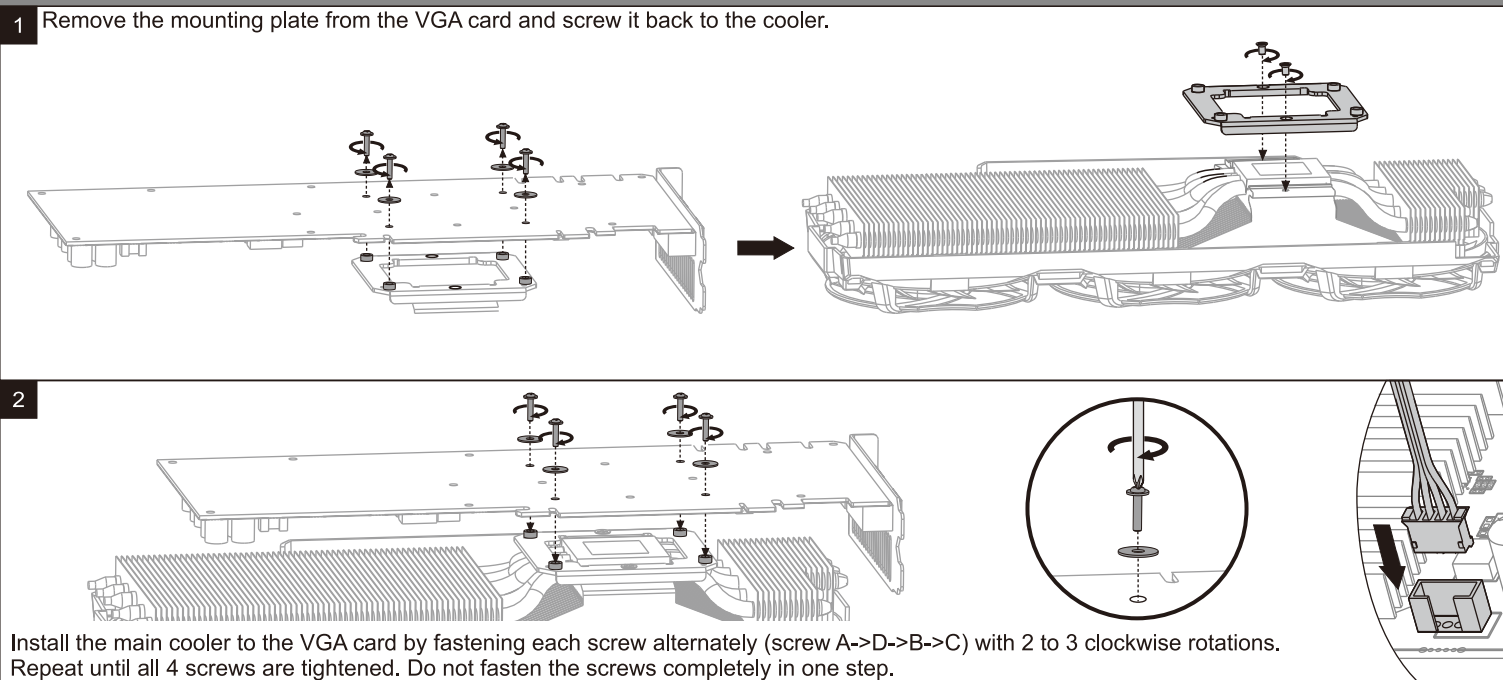
Installation of RAM and voltage regulator heatsinks

For NVIDIA GeForce GTX 470, 465, please following the installation instructions provided with the **VR003** Accessories Set.
 For NVIDIA GeForce GTX 285, 280, 275, 260+, 260, please following the installation instructions provided with the **VR002** Accessories Set.

Installation example on GTX 480 / 580



Installation of the main cooler



Thermal Compound

The thermal compound is already pre-applied to the heatsink. If the cooler has to be installed a second time, we highly recommend using the MX-4 from ARCTIC. Only this compound guarantees optimal performance in combination with the surface of our heatsinks.

Warranty

This ARCTIC Product includes a 6-year limited warranty. Please visit warranty.arctic.ac for further details.